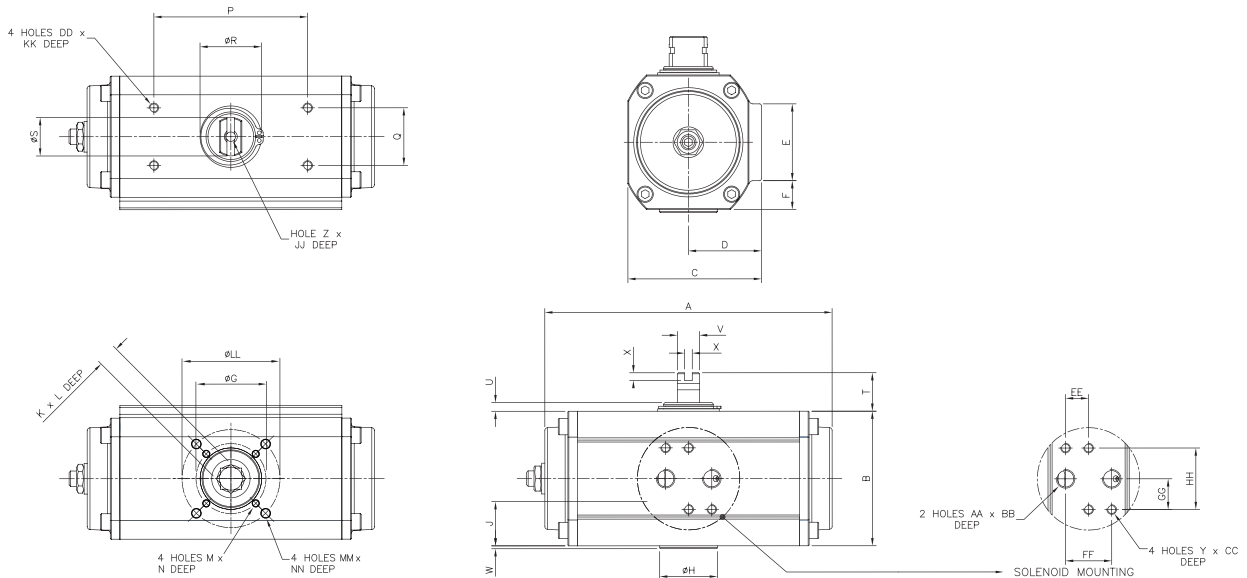




TruTorq Pneumatic Actuator Type S, Imperial Size 3, 5 and 10

- Double acting (DA) and Spring Return (SR)
- Single End Stop Adjustment, open position



DIMENSIONS, IMPERIAL (inches)

Actuator size	ISO	A	B	C	D	E	F	ØG	ØH	J	K	L	M (UNC)	N	P	Q	ØR	ØS	T	U
TT 3	F04	5.89	2.76	2.74	1.50	1.93	0.41	1.42	1.18	0.91	0.35	0.43	10-32	0.31	3.15	1.18	1.26	0.79	0.79	0.18
TT 5	F05/F07	7.34	3.43	3.56	1.93	1.93	0.87	1.97	1.38	1.36	0.55	0.59	1/4-20	0.39	3.15	1.18	1.26	0.79	0.79	0.18
TT 10	F05/F07	8.11	4.65	4.45	2.32	1.69	0.32	1.97	1.38	1.16	0.55	0.75	1/4-20	0.39	3.15	1.18	1.26	0.79	0.79	0.18

Actuator size	ISO	V	W	X	Y (UNF)	Z	AA (NPT)	BB	CC	DD (UNF)	EE	FF	GG	HH	JJ	KK	ØLL	MM (UNC)	NN
TT 3	F04	0.45	0.06	0.16	10-32	M6	1/8	0.28	0.31	10-32	0.47	0.94	0.63	1.26	0.47	0.31	1.97	1/4-20	0.39
TT 5	F05/F07	0.45	0.12	0.16	10-32	M6	1/8	0.28	0.31	10-32	0.47	0.95	0.63	1.26	0.47	0.31	2.76	5/16-18	0.51
TT 10	F05/F07	0.45	0.11	0.16	10-32	M6	1/8	0.28	0.31	10-32	0.47	0.94	0.63	1.26	0.47	0.31	2.76	5/16-18	0.51

TORQUE

Actuator size	Air Supply	DA Torque	SR Torque (in.lbs)				
	PSI	in.lbs	Air - Start	Air - End	Spring - Start	Spring - End	Spring Qty
TT 3	80	192	127	64	128	65	11
TT 5	80	412	265	147	265	146	11
TT 10	80	827	502	328	499	325	11

OPERATING DETAILS

Actuator size	Operating time (sec) *				Air consumption (ci)		Overall weight (kg)	
	DA Open	DA Close	SR Open	SR Close	Open	Close	DA	SR
TT 3	< 1	< 1	< 1	< 1	5.49	7.32	1.0	1.1
TT 5	< 1	< 1	< 1	< 1	10.98	14.65	1.8	1.9
TT 10	< 1	< 1	< 1	< 1	23.18	30.52	2.8	2.9

* Note! May be affected by air pipe diameter and type of solenoid valve