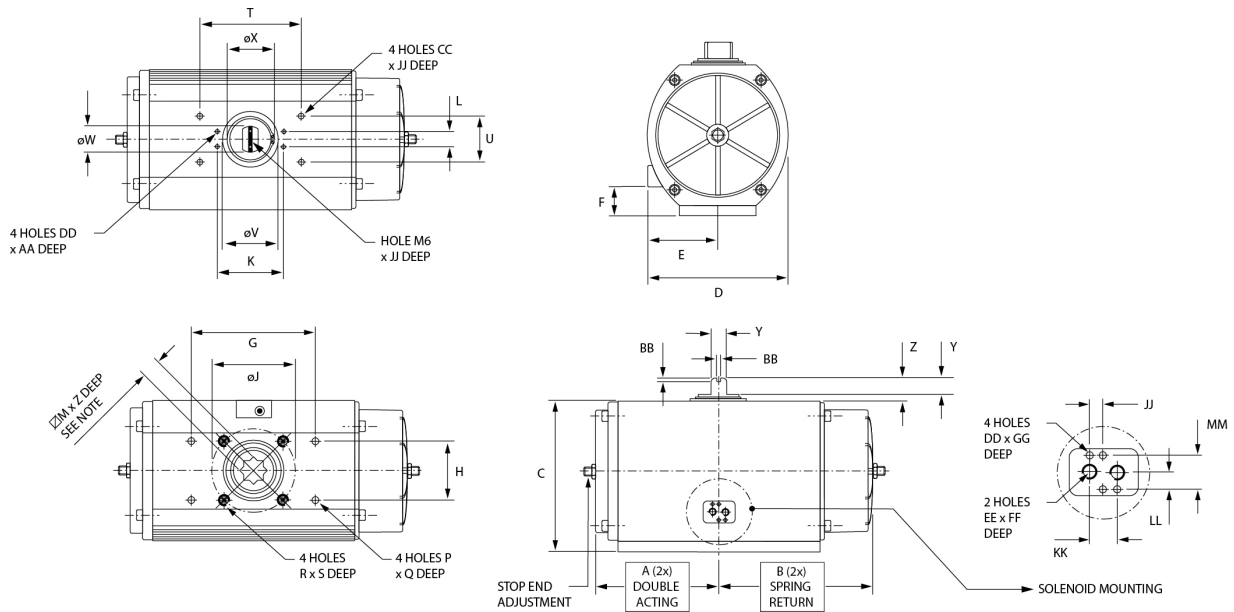




TruTorq Pneumatic Actuator Type C, Imperial Size 250

- Double acting (DA) and Spring Return (SR)
- Single end stop adjustment, open position (DA and SR)
- Option: Single end stop adjustment, closed position (Only DA)



DIMENSIONS, IMPERIAL (inches)

Actuator size	ISO	A	B	C	D	E	F	G	H	ØJ	K	L	M	P (UNC)	Q	R (UNC)	S	T
TT250	F16	9.8	13.3	11.81	11.02	5.51	2.20	9.61	4.61	6.5	5.12	1.18	1.81	1/2-13	0.86	3/4-13	1.25	7.87

Actuator size	ISO	U	ØV	ØW	ØX	Y	Z	AA	BB	CC (UNC)	DD	EE (NPT)	FF	GG	JJ	KK	LL	MM
TT250	F16	3.54	4.72	2.36	4.37	1.42	1.97	0.25	0.16	5/6-18	10-24	1/4"	0.50	0.31	0.47	0.94	0.63	1.26

TORQUE

Actuator size	Air Supply	DA Torque	SR Torque (in.lbs)				
	PSI	in.lbs	Air - Start	Air - End	Spring - Start	Spring - End	Spring Qty
TT250	80	21480	10752	4896	16584	10728	12

OPERATING DETAILS

Actuator size	Operating time (sec) *				Air consumption (ci)		Overall weight (kg)	
	DA Open (Sec)	DA Close	SR Open	SR Close	Open	Close	DA	SR
TT250	7	7	8	5	518.7	598.0	59	84

* Note! May be affected by air pipe diameter and type of solenoid valve