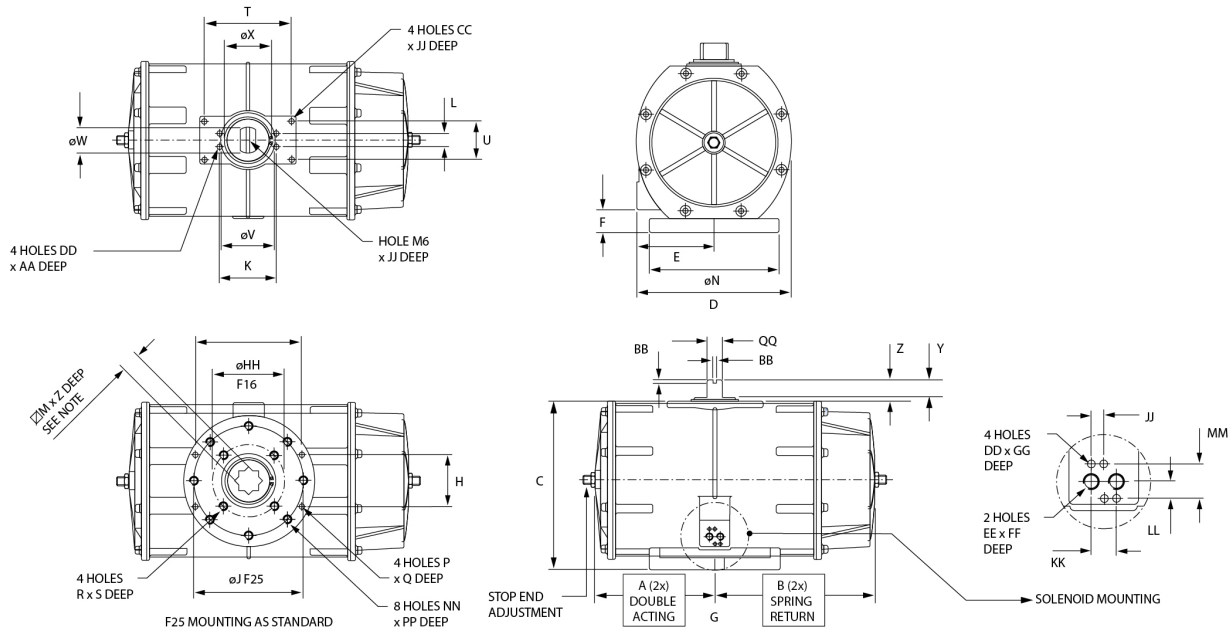




TruTorq Pneumatic Actuator Type C, Imperial Size 400

- Double acting (DA) and Spring Return (SR)
- Single end stop adjustment, open position (DA and SR)
- Option: Single end stop adjustment, closed position (Only DA)



DIMENSIONS, IMPERIAL (inches)

Actuator size	ISO	A	B	C	D	E	F	G	H	ØJ	ØK	L	M	ØN	P (UNC)	Q	R	S	T	U
TT400	F25/F16	11.8	14.6	15.16	14.2	7.1	2.1	9.61	4.61	10.0	5.12	1.18	2.165	Ø11.81	1/2-13	0.86	3/4-11	1.38	7.87	3.54

Actuator size	ISO	ØV	ØW	ØX	Y	Z	AA	BB	CC (UNC)	DD	EE (NPT)	FF	GG	ØHH	JJ	KK	LL	MM	NN	PP	QQ
TT400	F25/F16	4.72	2.36	4.37	1.57	2.36	0.35	0.16	5/16-18	10-24	1/4"	0.50	0.31	6.5	0.47	0.94	0.63	1.26	M16	5/8-11	1.42

TORQUE

Actuator size	Air Supply	DA Torque	SR Torque (in.lbs)				
	PSI	in.lbs	Air - Start	Air - End	Spring - Start	Spring - End	Spring Qty
TT400	80	38971	22260	13197	25774	16711	16

OPERATING DETAILS

Actuator size	Operating time (sec) *				Air consumption (ci)		Overall weight (kg)	
	DA Open	DA Close	SR Open	SR Close	Open	Close	DA	SR
TT400	12	12	13	10	829.9	1067.9	107	135

* Note! May be affected by air pipe diameter and type of solenoid valve