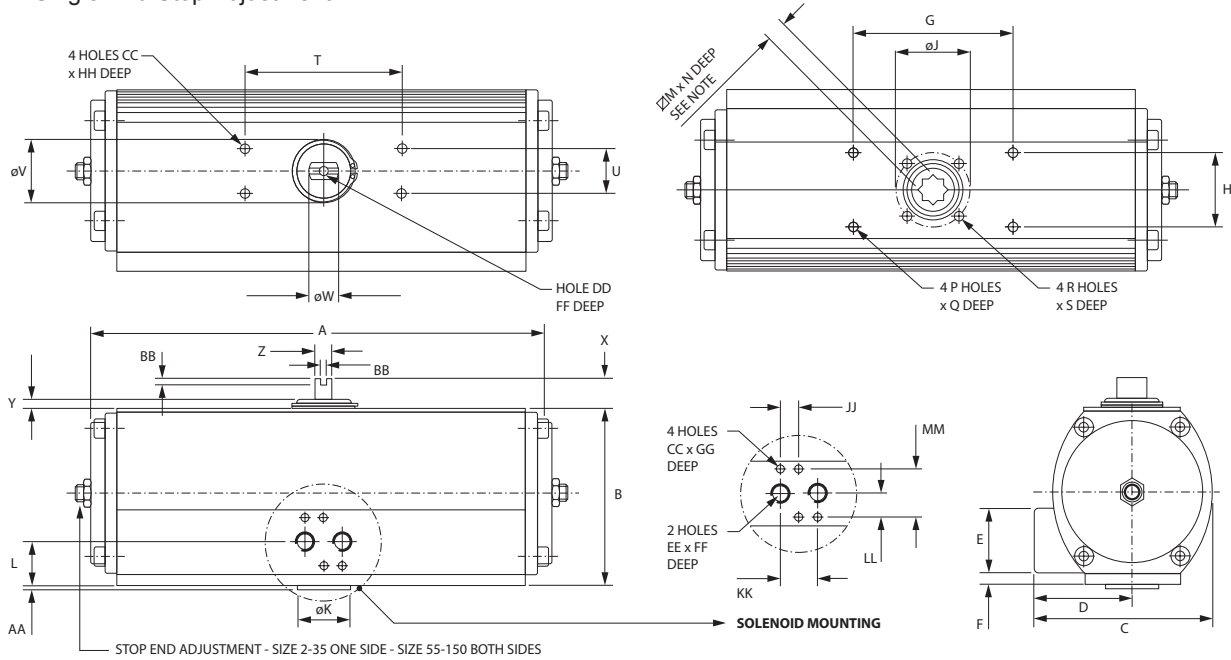


# Pneumatic Actuator Type C 180°, Metric Size 4, 8, 12, 20 and 35

- Double acting (DA)
- Single End Stop Adjustment



## DIMENSIONS, METRIC (mm)

Actuator size	ISO	A	B	C	D	E	F	G	H	ØJ	ØK	L	M	N	P	Q	R	S	T
TT4	F04	215,0	90,5	87,5	47,5	41,0	---	73,0	32,0	42,0	30,0	20,5	11,0	12,0	M5	8,0	M5	8,0	80,0
TT4	F04	215,0	90,5	87,5	47,5	41,0	---	73,0	32,0	42,0	30,0	20,5	14,0	16,0	M5	8,0	M5	8,0	80,0
TT8	F07	245,0	109,0	105,0	57,0	42,0	7,5	73,0	32,0	50,0	35,0	28,5	14,0	16,0	M6	10,0	M8	13,0	80,0
TT12	F07	295,0	118,5	121,0	67,0	43,0	8,0	107,0	49,0	50,0	35,0	29,5	14,0	16,0	M6	10,0	M8	13,0	80,0
TT12	F07	295,0	118,5	121,0	67,0	43,0	8,0	107,0	49,0	50,0	55,0	29,5	17,0	16,0	M6	10,0	M8	13,0	80,0
TT20	F07	337,0	140,5	136,5	72,0	43,0	8,0	107,0	49,0	70,0	55,0	29,5	17,0	19,0	M6	10,0	M8	13,0	80,0
TT35	F10	402,0	166,5	156,0	78,0	43,0	8,5	161,0	73,0	102,0	70,0	30,0	22,0	24,0	M6	12,0	M10	16,0	80,0

Actuator size	ISO	U	ØV	ØW	X	Y	Z	AA	BB	CC	DD	EE	FF	GG	HH	JJ	KK	LL	MM
TT4	F04	30,0	31,0	20,0	20,0	4,5	11,5	2,0	4,0	M5	M6	G1/8"	12,0	8,0	5,0	12,0	24,0	16,0	32,0
TT8	F07	30,0	35,0	20,0	20,0	5,0	11,5	3,0	4,0	M5	M6	G1/8"	12,0	8,0	5,0	12,0	24,0	16,0	32,0
TT12	F07	30,0	45,0	20,0	20,0	5,5	11,5	3,0	4,0	M5	M6	G1/4"	12,0	8,0	5,0	12,0	24,0	16,0	32,0
TT20	F07	30,0	50,0	32,0	20,0	6,5	19,0	3,0	4,0	M5	M6	G1/4"	12,0	8,0	5,0	12,0	24,0	16,0	32,0
TT35	F10	30,0	61,0	32,0	20,0	7,0	19,0	3,0	4,0	M5	M6	G1/4"	12,0	8,0	5,0	12,0	24,0	16,0	32,0

## TORQUE AND OPERATING DETAILS

Actuator Size	Air Supply		DA Torque		Operating time (sec) *		Air consumption (litre)		Weight (kg)
	BAR	Nm	DA Open	DA Close	Open	Close	DA		
TT4	6	41	<1	<1	0.09	0.12	2.8		
TT8	6	90	<1	<1	0.18	0.24	3.1		
TT12	6	122	1.5	1.5	0.34	0.41	6.4		
TT20	6	202	2.0	2.0	0.49	0.64	9.7		
TT35	6	408	2.5	2.5	0.90	1.00	17.5		

\* Note! May be affected by air pipe diameter and type of solenoid valve