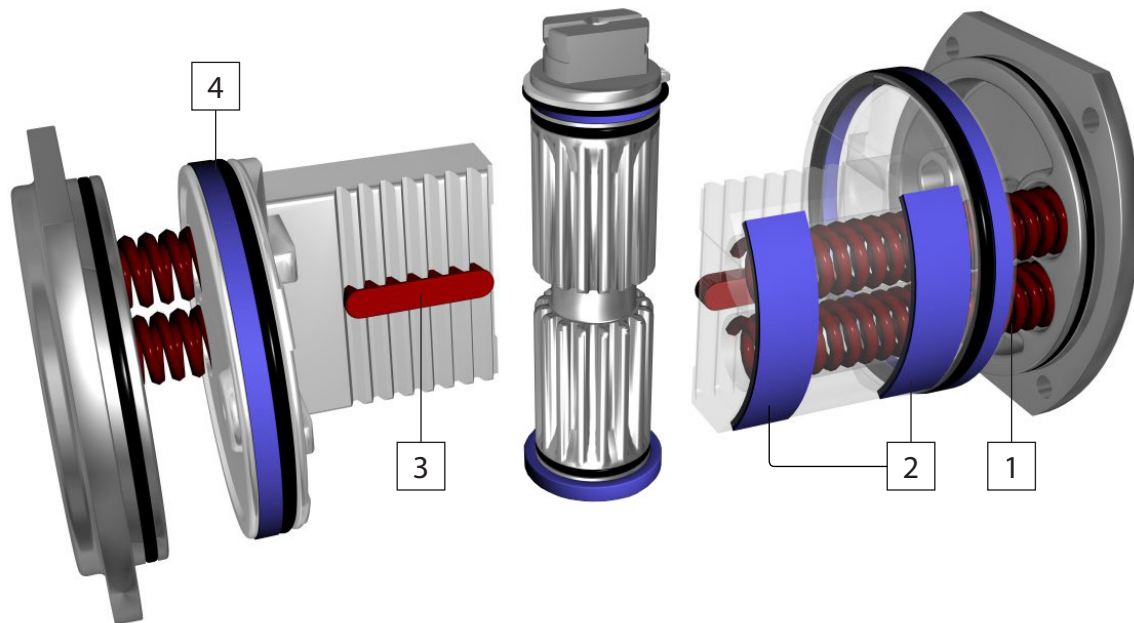


C-Type Actuator, Features and Benefits



1. SPRINGS

- Springs are located inside the piston rack, same overall dimensions for DA and SR actuators.
- No special tools required to change from DA to SR or opposite.
- Long bolting is standard feature to fully relax springs.

2. PISTON WEAR PADS

- Dual encapsulated "POM" wear pads on the piston, prevent metal to metal contact between piston and cylinder, thus providing low friction travel.
- The dual encapsulated "POM" wear pads absorb the adverse side loading at start of each stroke.

3. TWIN GUIDE BARS

- Twin guide bars absorb any adverse side loading, from rack at the start of each stroke, which reduces pinion & rack wear.

4. BACK UP BEARING

- Piston back up bearings, which are situated behind the pistons "o" ring, ensure linear movement and prevent wear on the cylinder surface.